

## Pastry and Bakery Line

### 2 Door Freezer Counter, -24°/-10° C, 600X400 grid

ITEM # \_\_\_\_\_

MODEL # \_\_\_\_\_

NAME # \_\_\_\_\_

SIS # \_\_\_\_\_

AIA # \_\_\_\_\_


**728973 (BPLEF2NL)**

 2-door Freezer Counter,  
 600x400 mm grids, -10-24°C,  
 AISI 304

### Short Form Specification

**Item No.** \_\_\_\_\_

Internal and external doors, front and side panels in AISI 304 stainless steel.

Stainless steel worktop. Two reversible doors. Frontal access for easy maintenance. Uniformity of temperature guaranteed by the position of the evaporator and the design of the internal ventilation. Completely automatic defrosting.

Freezer counter has operating temperature that can be adjusted from -10° to -24°C.

Supplied with 6 pairs of runners 600x400mm.

### Main Features

- Suitable for use in ambient temperature of up to 40°C (climatic class 5).
- Completely automatic defrosting and automatic evaporation of defrost water by hot gas.
- Electronic control panel and digital display.
- Frontal access for easy maintenance.
- Internal runners removable without any tools for faster cleaning operations.

### Construction

- The position of the evaporator and the design of the internal ventilation facilitate the uniformity of the temperature.
- 2 compartments with 2 doors.
- Stainless steel AISI 304 internal and external panels including back.
- Rounded internal corners for ease of cleaning.
- Self closing doors.
- Adjustable feet from 140mm to 240mm.

### Sustainability

- Hydrocarbon refrigerant gas R290 for the lowest environmental impact (GWP=3) - CFC and HCFC free.
- Insulation thickness: 60 mm to ensure effective insulation with minimum energy consumption.
- Removable triple-chamber balloon magnetic gasket to improve insulation and reduce energy consumption and ease of cleaning.

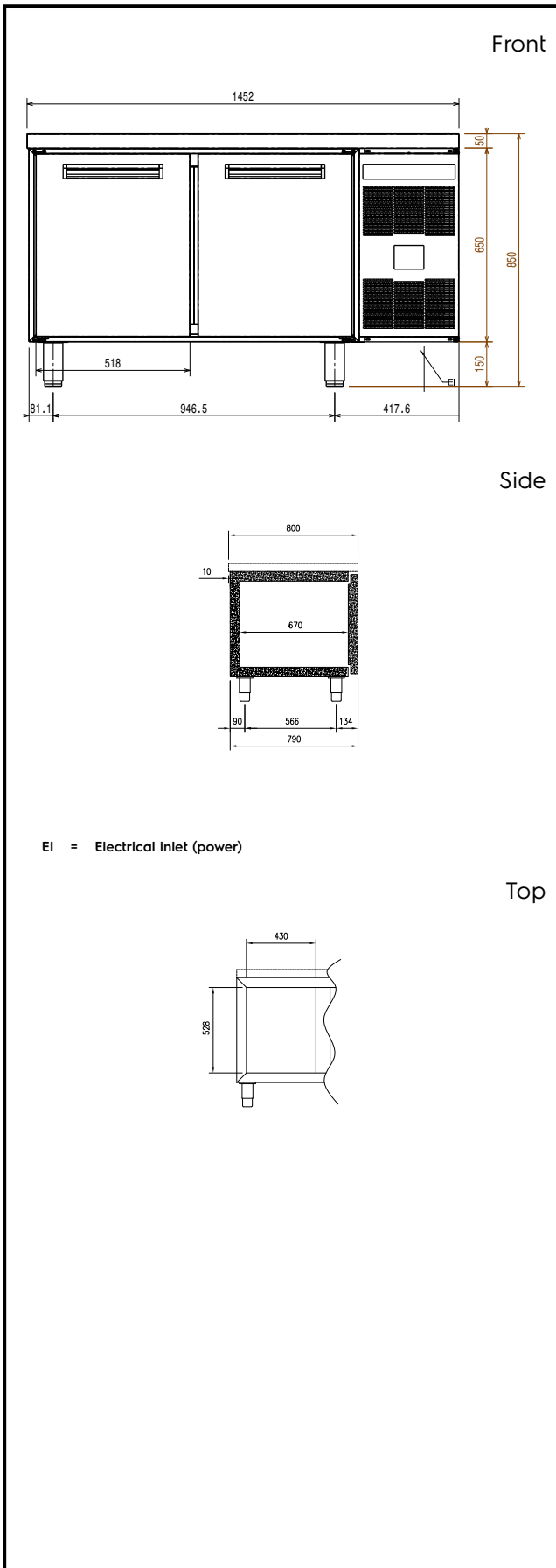
### Included Accessories

- 6 of Pair of runners 600x400 mm PNC 880673 for Pastry Counter

### Optional Accessories

- Grid, 600x400mm for pastry counter PNC 728875
- Stainless steel grid, 600x400mm for pastry counter PNC 728876
- Pair of runners 600x400 mm for Pastry Counter PNC 880673

APPROVAL: \_\_\_\_\_



#### Electric

Supply voltage:	728973 (BPLEF2NL)	230 V/1N ph/50 Hz
Electrical power max.:		0.413 kW

#### Key Information:

Gross capacity:	363 lt
Net Volume:	240 lt
N° of doors:	2
Door hinges:	1 Left+1 Right
External dimensions, Width:	1452 mm
External dimensions, Depth:	800 mm
External dimensions, Depth with Doors Open:	1280 mm
External dimensions, Height:	850 mm
Type of external material:	Stainless Steel AISI 304 Scotch Brite
Type of internal material:	304 AISI
Internal side panels material:	304 AISI

#### Refrigeration Data

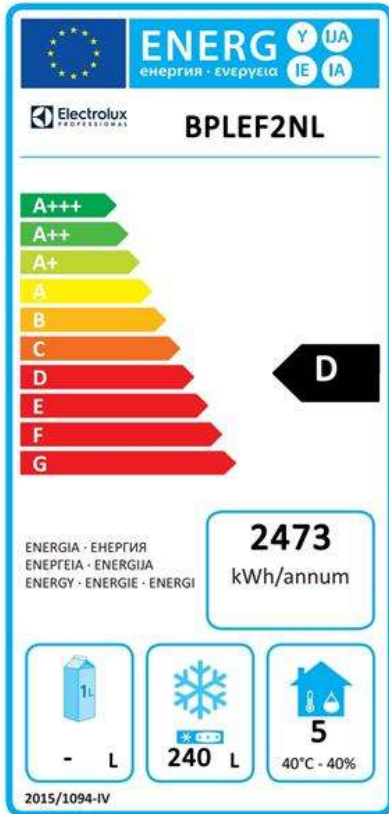
Control type:	
Refrigeration power at evaporation temperature:	-30 °C
Operating temperature min.:	-24 °C
Operating temperature max.:	-10 °C

#### Product Information (EU Regulation 2015/1094)

Type of model (EU Reg. 2015/1094):	counter frozen
------------------------------------	----------------

#### Sustainability

Energy Class (EU Reg. 2015/1094):	D
Yearly and daily energy consumption (EU Reg. 2015/1094):	2473kWh/year - 7kWh/24h
Climate class (EU Reg. 2015/1094):	Heavy Duty (5)
Energy Efficiency Index-EEI (EU Reg. 2015/1094):	65
Refrigerant type:	R290
GWP Index:	3



**EU energy labelling from 1st July 2016**  
 The European energy labelling scheme for professional refrigerators and freezers is based on requirements setting Minimum Energy Performance standards for commercial refrigeration cabinets sold within the EU.

These requirements are designed to drive energy efficiency and environmentally friendly approach for professionals. The European energy labelling scheme will apply to all manufacturers and importers who sell and market products within the EU and it is mandatory across Europe. Important: all products which consume energy above the minimum level will not be able to be sold within the EU from 1 July 2016.

SI 2020 No. 1528.

Important: all products which consume energy above the minimum level will not be able to be sold within the EU from 1 July 2016.

